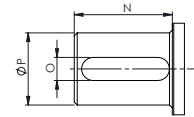




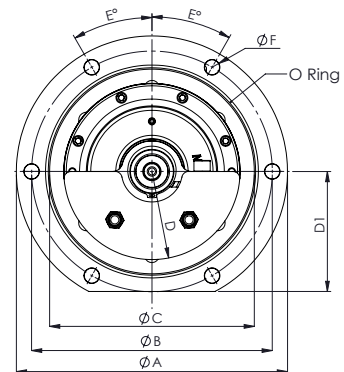
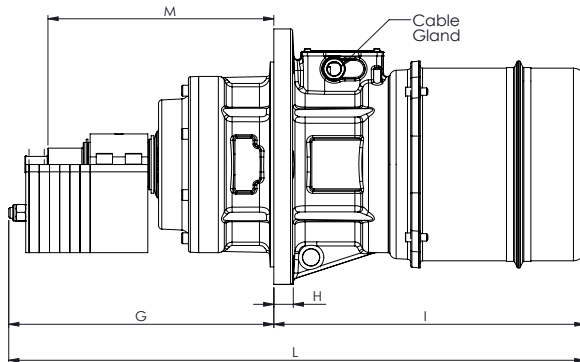
# FD 6 poles - Flanged Drive - 50Hz / 60Hz



### SHAFT EDGE



DIMENSIONAL SPECIFICATIONS (in)			
Type	N	O	Ø P
<b>a</b>	1,34	0,31	0,98
<b>b</b>	1,42	0,47	1,57
Tolerances	± 0.2	H8	g6



Wm (kgcm)		Model		Poles	Centrifugal Force (kg)		rpm		Weight (kg)		ELECTRICAL SPECIFICATIONS						
50Hz	60Hz	50Hz	60Hz	n°	50Hz	60Hz	50Hz	60Hz	50Hz	60Hz	Input Power (kW)		Nominal Current A max. (Y)		Ia / In (Ampere)		Cable Gland
50Hz	60Hz	50Hz	60Hz								50Hz	60Hz	50Hz (400V)	60Hz (460V)	50Hz	60Hz	Metric
805.6	654.4	MVE 4500/1N FD-80AX	MVE 5200/12N FD-80AX	6	4,501	5,264	1,000	1,200	211	188	3.6	7.5	6.9	4.5	4.3	M25	
959.6	805.6	MVE 5500/1N FD-80AX	MVE 6500/12N FD-80AX	6	5,361	6,481	1,000	1,200	243	231	5.8	12	10.5	5.5	5.3	M25	
											<b>A max. (Δ)</b>						
1,518	1,058	MVE 8500/1N FD-89BP	MVE 8500/12N FD-89BP	6	8,480	8,511	1,000	1,200	260	330	6.5	13	12.7	6.4	6.4	M32	
1,870	1,518	MVE 10500/1N FD-90BP	MVE 12500/12N FD-90BP	6	10,447	12,212	1,000	1,200	408	387	6.4	7.6	12.7	5.8	6.4	M32	
2,218	--	MVE 12500/1N FD-90BP	--	6	12,391	--	1,000	--	437	--	8.6	--	9.5	--	6.2	--	M32

Model		DIMENSIONAL SPECIFICATIONS (mm)															
50Hz	60Hz	Size	A	B	C	D	D1	E	F	G	H	I	L	M	Holes	O Ring	Shaft Edge
MVE 4500/1N FD-80AX	MVE 5200/12N FD-80AX	80	400	355	302	130	177	30	22	391	28	459	850	333	6	41200	<b>a</b>
MVE 5500/1N FD-80AX	MVE 6500/12N FD-80AX	80	400	355	302	130	177	30	22	431	28	499	930	333	6	41200	<b>a</b>
MVE 8500/1N FD-89BP	MVE 8500/12N FD-89BP	89	560	500	400	180	260	25/27.5	22	314	30	460	873	337	12	61600	<b>b</b>
MVE 10500/1N FD-90BP	MVE 12500/12N FD-90BP	90	560	500	400	180	260	25/27.5	22	478	30	523	1,001	392	12	61600	<b>b</b>
MVE 12500/1N FD-90BP	--	90	560	500	400	180	260	25/27.5	22	493	30	523	1,016	392	12	61600	<b>b</b>

<b>FD</b>	<b>APPLICATION</b>	Horizontal or inclined vibrating screens, vibrating machines and plants for aggregates, soil and minerals processing.
	<b>PROBLEM SOLVING</b>	Quick and easy installation and maintenance, grease for life; avoids the use of through shafts with oil lubrication system.

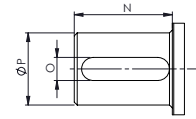
<b>FEATURES</b>	<b>INPUT VOLTAGE</b>	400V (50Hz) or 460V (60Hz)
	<b>AMBIENT TEMPERATURE</b>	-20°C + 40°C
	<b>IP</b>	66
	<b>THERMAL PROTECTION</b>	PTC Termistor 130°C
	<b>INSULATION CLASS</b>	F



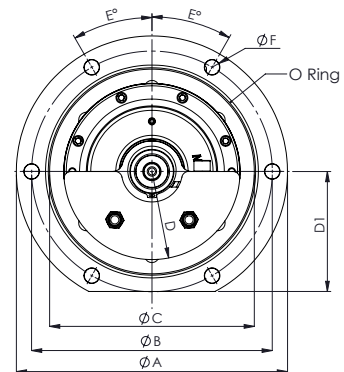
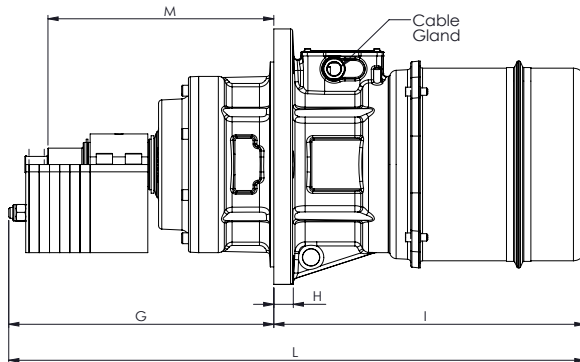
# FD 8 poles - Flanged Drive - 50Hz / 60Hz



### SHAFT EDGE



DIMENSIONAL SPECIFICATIONS (in)			
Type	N	O	Ø P
<b>a</b>	1,34	0,31	0,98
<b>b</b>	1,42	0,47	1,57
Tolerances	± 0.2	H8	g6



Wm (kgcm)	Model		Poles	Centrifugal Force (kg)		rpm		Weight (kg)		ELECTRICAL SPECIFICATIONS					
				50Hz	60Hz	50Hz	60Hz	50Hz	60Hz	Input Power (kW)	Nominal Current A max. (Y)		Ia / In (Ampere)		Cable Gland
50Hz	60Hz	50Hz	60Hz	n°	50Hz	60Hz	50Hz	60Hz	50Hz	60Hz	50Hz	60Hz	50Hz	60Hz	Metric
805.6	805.6	MVE 2600/075N FD-80AX *	MVE 3700/9N FD-80AX *	8	2,532	3,645	750	900	207	207	2.5	6	3.5	3.5	M25
959.6	959.6	MVE 3000/075N FD-80AX *	MVE 4400/9N FD-80AX *	8	3,016	4,342	750	900	232	232	5	10	3.6	3.6	M25
1,932	1,932	MVE 6000/075N FD-89BP *	MVE 8700/9N FD-89BP *	8	6,071	8,743	750	900	397	397	<b>A max. (Δ)</b>				
2,218	2,218	MVE 7000/075N FD-90BP *	MVE 10000/9N FD-90BP *	8	6,970	10,037	750	900	141	437	6.8	7.8	3.5	3.5	M32
											5.6	10.6	3.5	3.5	M32

\* under development, specs to be confirmed

Model		DIMENSIONAL SPECIFICATIONS (mm)															
50Hz	60Hz	Size	A	B	C	D	D1	E	F	G	H	I	L	M	Holes	O Ring	Shaft Edge
MVE 2600/075N FD-80AX *	MVE 3700/9N FD-80AX *	80	400	355	302	130	177	30	22	391	28	459	850	333	6	41200	<b>a</b>
MVE 3000/075N FD-80AX *	MVE 4400/9N FD-80AX *	80	400	355	302	130	177	30	22	431	28	499	930	333	6	41200	<b>a</b>
MVE 6000/075N FD-89BP *	MVE 8700/9N FD-89BP *	89	560	500	400	180	260	25/27.5	22	314	30	460	873	337	12	61600	<b>b</b>
MVE 7000/075N FD-90BP *	MVE 10000/9N FD-90BP *	90	560	500	400	180	260	25/27.5	22	493	30	523	1016	392	12	61600	<b>b</b>

\* under development, specs to be confirmed

## FD

**APPLICATION** Horizontal or inclined vibrating screens, vibrating machines and plants for aggregates, soil and minerals processing.

**PROBLEM SOLVING** Quick and easy installation and maintenance, grease for life; avoids the use of through shafts with oil lubrication system.

## FEATURES

**INPUT VOLTAGE** 400V (50Hz) or 460V (60Hz)

**AMBIENT TEMPERATURE** -20°C + 40°C

**IP** 66

**THERMAL PROTECTION** PTC Termistor 130°C

**INSULATION CLASS** F

This information is furnished without warranty, representation, inducement or license of any kind. It is accurate to the best OLI knowledge or is obtained from sources believed to be accurate. OLI therefore assumes no legal responsibility.